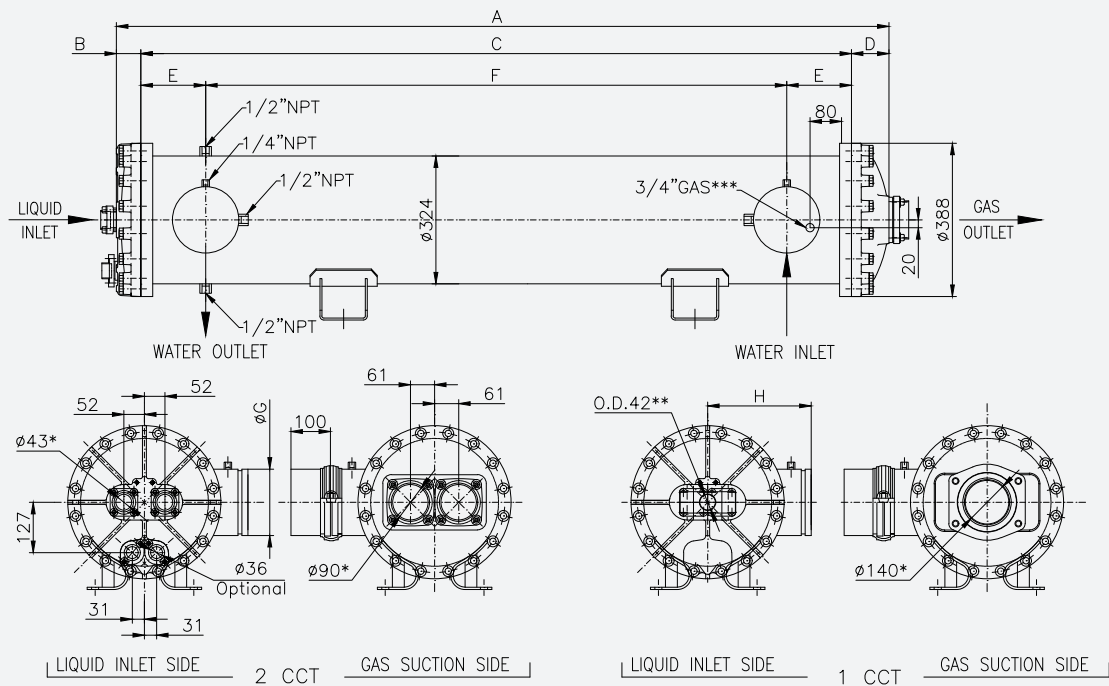


Length [mm]	Number of ranks	Weight [kg]	Water [dm ³]	Gas [dm ³]	A [mm]	B [mm]	C [mm]	D [mm]	E [mm]	F [mm]	G [mm]	Ø H [mm]	N° CCT
1800	55	268	117	22	1957	62	1800	95	150	1500	139,7	262	1CC/2CCT
	77	277	109	29									
	88	281	105	32									
	1010	292	98	39									
2175	55	288	143	25	2332	62	2175	95	150	1875	139,7	262	1CC/2CCT
	77	300	134	33									
	88	305	129	38									
	1010	319	120	46									
2750	55	331	181	31	2907	62	2750	95	150	2450	139,7	262	1CC/2CCT
	77	347	170	41									
	88	353	164	46									
	1010	366	152	56									
3300	55	362	218	35	3457	62	3300	95	150	3000	139,7	262	1CC/2CCT
	77	382	204	48									
	88	389	197	54									
	1010	405	183	66									
3600	55	379	238	38	3757	62	3600	95	150	3300	139,7	262	1CC/2CCT
	77	400	223	51									
	88	408	215	58									
	1010	426	200	71									
3900	55	395	258	41	4057	62	3900	95	150	3600	139,7	262	1CC/2CCT
	77	418	242	55									
	88	428	233	62									
	1010	448	217	77									

* Please contact technical dept. at WIELAND PROVIDES S.r.l. for more info



* INTERNAL DIAMETER OF FERRULE
 ** MANIFOLD (MONO SERIES ONLY)
 *** HEAT RESISTANCE—ON THE OTHER SIDE